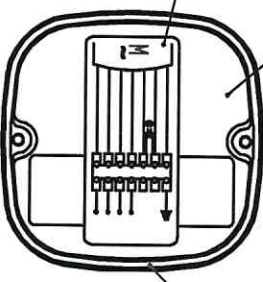


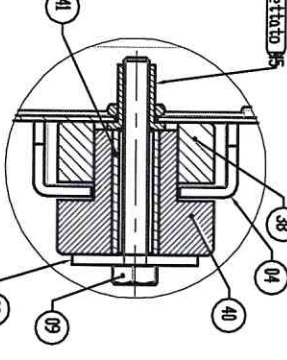
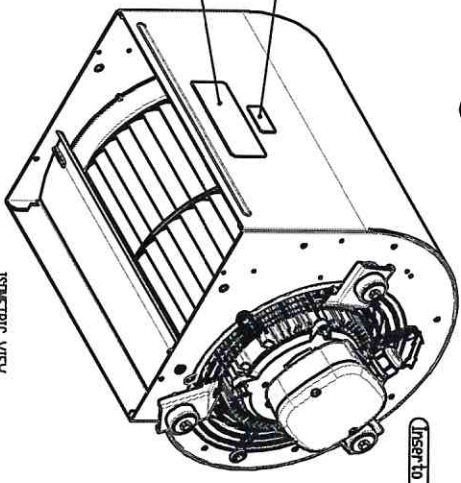
RELAZIONARI	INDICAZIONE
GRUPPO	1
VALLET	2
REDA	3
ALTE	4
ALFA	5
HERI	6
OMER	7

SCREW TORQUE IN ACCORDANCE WITH ELLANING6
(Doppia di serraggio viti secondo normativa ELLANING6)

MATERIALS (Materie)	DESCRIPTION (Descrizione)
BLINDER (Ventole)	BLINDER (Ventole)
HOUSING (Cassa)	HOUSING (Cassa)
BRACKET (Supporto)	BRACKET (Supporto)
SCREWS (Viti)	SCREWS (Viti)
WASHERS AND NUTS (Viti, Anelli e Rondelle)	WASHERS AND NUTS (Viti, Anelli e Rondelle)
BALANCING GRADE (Grado di Bilanciatura)	BALANCING GRADE (Grado di Bilanciatura)
ELECTRICAL SPECIFICATION (Prescrizioni di Colloquio)	ELECTRICAL SPECIFICATION (Prescrizioni di Colloquio)
Accessories KIT - Right & Left Support (if Required)-001	Accessories KIT - Right & Left Support (if Required)-001



TYPE	CE
TYPE DD 9/91 300-4P-3V-M / 356	TYPE DD 9/91 300-4P-3V-M / 356
230V 1~ 50/60 Hz 300V 13000rpm 6.3A 450W	230V 1~ 50/60 Hz 300V 13000rpm 6.3A 450W
41 Amp (50Hz) IP55 44 Amp (60Hz)	41 Amp (50Hz) IP55 44 Amp (60Hz)
Thprot. O.F. Ie=34.6AStated N2015/4 N=4,0 VnIePmax=226V	Thprot. O.F. Ie=34.6AStated N2015/4 N=4,0 VnIePmax=226V
MOTOR : FEMN310A78S	MOTOR : FEMN310A78S



ERP 2015

For dimension without tolerance see standard UNI EN 22768-MK

Treatment: Material:

Weight g: Release

Ref. No: A3

Scale: 1:1

Check: 17-12-2014

Scale: 1:1

Scale: 1:1

Ref.	Matte	Description	Quantity
1		MODIFICATIO	
2		DISAVING MADE BY	
		INDICAZIONI PER FERRERRE	
		THIS DRAWING IS OUR PROPERTY	
		PARTIAL OR COMPLETE COPY IS FERRERRE WITHOUT PREVIOUS WRITTEN AUTHORIZATION	



DD 9/91 300-4P-3V-M/ 356

CENTRIFUGAL BLOWER

230V 1~ 50/60Hz

Weight g: Release

Ref. No: A3

Scale: 1:1